

## Life of the Party

by Vanessa Christenson of V and Co.

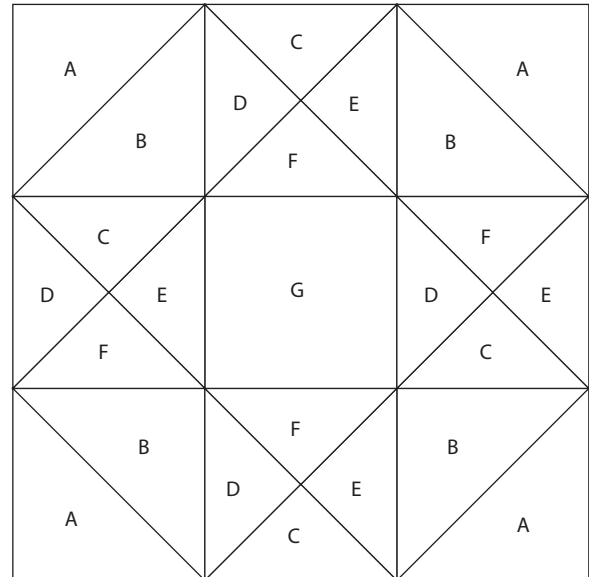
As a very young child and the daughter of immigrant parents, I wanted to blend in and never draw attention to myself. Fast forward to college, and I found being part of the life of the party was way more fun than being a side-line observer. I enjoy laughing and finding the fun in things...it became very freeing to be who I am and allow myself to be seen. This block represents allowing yourself to be a little free and a little fun in color. We give you some guidelines, but if you want to have fun with this block, go ahead and be the life of the party!

@vchristenson

[www.vanessachristenson.com](http://www.vanessachristenson.com)

### Cutting Instructions

Qty	6" finished block	12" finished block
2	3" squares (A)	5" squares (A)
2	3" squares (B)	5" squares (B)
1	3 1/2" square (C)	5 1/2" square (C)
1	3 1/2" square (D)	5 1/2" square (D)
1	3 1/2" square (E)	5 1/2" square (E)
1	3 1/2" square (F)	5 1/2" square (F)
1	2 1/2" square (G)	4 1/2" square (G)



Use this block to plan color and fabric placement!

### My Swatches

A  B  C  D  E  F

G





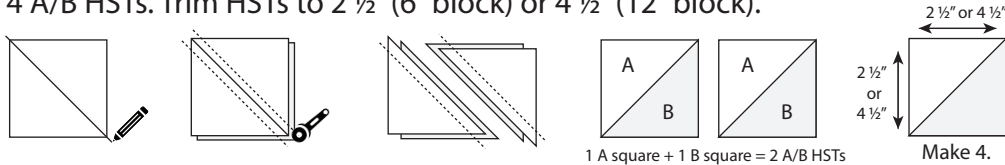
## Piecing Instructions

### Step 1

On the wrong side of each A square, draw a line from one corner to the opposing corner as shown.

Place A and B squares right sides together. Stitch a scant  $\frac{1}{4}$ " seam on both sides of the drawn line. Cut the square apart on the line to yield two HSTs, and press the seams to the darker triangles (B).

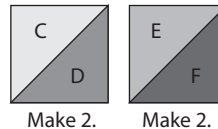
Repeat to make 4 A/B HSTs. Trim HSTs to  $2\frac{1}{2}$ " (6" block) or  $4\frac{1}{2}$ " (12" block).



### Step 2

Using the C, D, E, and F squares, repeat Step 1 to make 2 C/D HSTs and 2 E/F HSTs.

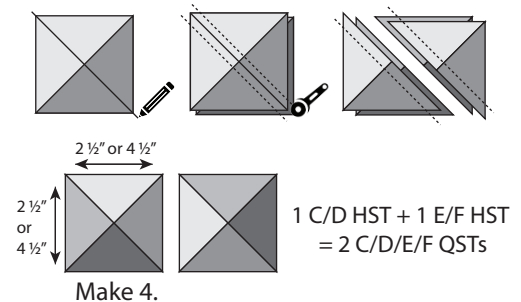
Press to the C and F triangles; do not trim.



### Step 3

On the wrong side of each C/D HST, draw a line from one corner to the opposing corner as shown. Place a C/D and E/F HST right sides together so that the seams nest. Stitch a scant  $\frac{1}{4}$ " seam on both sides of the drawn line. Cut apart on the line to yield two QSTs, and press the seams open.

Repeat to make 4 QSTs. Trim QSTs to  $2\frac{1}{2}$ " (6" block) or  $4\frac{1}{2}$ " (12" block).

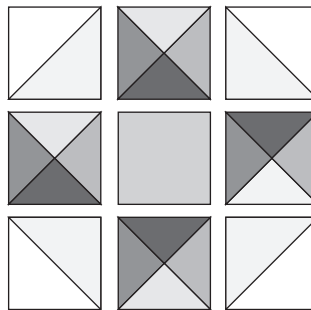


### Step 4

Lay out HSTs, QSTs, and G square as shown.

Join units to make the full block.

Trim to  $6\frac{1}{2}$ " or  $12\frac{1}{2}$ ".





**Additional Coloring Blocks**

