

The Easy Everything Bag!



Featuring
The Four Seasons
by Julie Paschkis

In The Beginning *fabrics*

FINISHED BAG SIZE: approx. 19½" x 19½" x 5½"

- Instructions are given for tote bags in four different colorways.
- A separate materials list is given for each of the tote bags.

Materials: Spring Tote

⅔ yd. Spring Panel (10JPI1) for front and back of bag
1¼ yds. Lime Small Circles (13JPI1) for lining
¾ yd. Spring Floral (11JPI1) accent fabric for sides, bottom, and handles of bag
1¼ yds. fusible fleece (Pellon #987F or something similar)

Materials: Summer Tote

⅔ yd. Summer Panel (20JPI1) for front and back of bag
1¼ yds. Turquoise Stripes (23JPI3) for lining
¾ yd. Summer Floral (21JPI1) accent fabric for sides, bottom, and handles of bag
1¼ yds. fusible fleece (Pellon #987F or something similar)

Materials: Autumn Tote

⅔ yd. Autumn Panel (30JPI1) for front and back of bag
1¼ yds. Orange Vines (33JPI1) for lining
¾ yd. Autumn Leaves (31JPI1) accent fabric for sides, bottom, and handles of bag
1¼ yds. fusible fleece (Pellon #987F or something similar)

Materials: Winter Tote

⅔ yd. Winter Panel (40JPI1) for front and back of bag
1¼ yds. Red Snowflakes (42JPI1) for lining
¾ yd. Winter Flowers (41JPI1) accent fabric for sides, bottom, and handles of bag
1¼ yds. fusible fleece (Pellon #987F or something similar)

Cutting

One set of cutting instructions is given, and includes information for all four variations of the tote bag. Fabrics are cut in order given in Materials lists. Cut strips across width of fabric, unless otherwise instructed.

From Panel, selectively cut:

- 2 squares, 20½" x 20½", for front and back of bag

From lining fabric, cut:

- 2 squares, 20½" x 20½"
- 2 strips, 6½" x 36"

From accent fabric, cut:

- 2 strips, 6½" x 36", for bag sides and bottom
- 2 strips, 3½" x 26", for handles

From fusible fleece, cut:

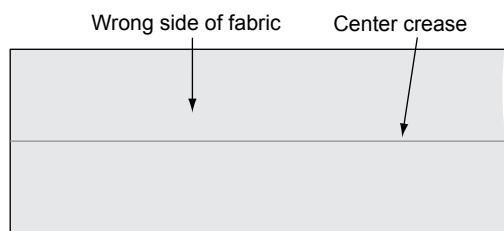
- 2 squares, 20½" x 20½"
- 2 strips, 6½" x 36"
- 2 strips, 1¼" x 26"

Assembly

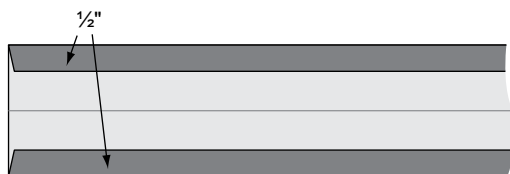
All seams are ½" unless otherwise instructed. Backstitch at beginning and end of seams to secure stitching.

1. Place one 20½" square of fusible fleece, with the fusible side up, on your ironing board. Place bag front, right side up, on top of fusible fleece. Using a press cloth, and following pressing instructions given with your fusible fleece, fuse together the bag front and fleece. In the same way, fuse together the bag back and remaining 20½" square of fusible fleece.
2. Place one 6½" x 36" strip of fusible fleece, with the fusible side up, on your ironing board. Place one accent fabric 6½" x 36" strip, right side up, on top of fusible fleece. Fuse together the strip and fleece. In the same way, fuse together the remaining 6½" x 36" strip of fusible fleece, and the remaining accent fabric 6½" x 36" strip.

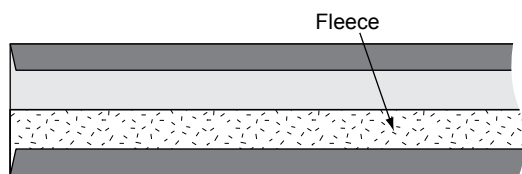
- Press one accent fabric $3\frac{1}{2}$ " x 26" strip in half lengthwise, wrong sides together, to make a center crease. Open strip.



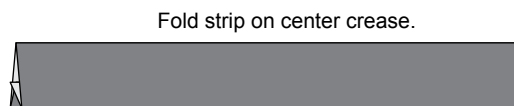
With wrong side up, fold over and press $\frac{1}{2}$ " on each long edge of strip.



Place a $1\frac{1}{4}$ " x 26" strip of fusible fleece (fusible side down) on top of the strip (wrong side up), with one long edge of the fleece next to the center crease, and one long edge tucked under the $\frac{1}{2}$ " fold of the strip.



Refold the strip along the center crease (with the fleece now sandwiched inside) and, using your iron, fuse together the strip and fleece.

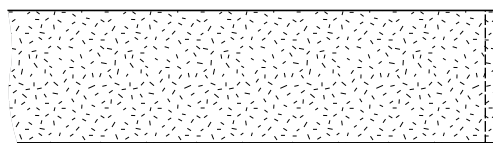


Repeat this sequence to fuse together the remaining $1\frac{1}{4}$ " x 26" strip of fusible fleece, and the remaining accent fabric $3\frac{1}{2}$ " x 26" strip.

- Topstitch along each long edge of the two folded strips made in Step 3. These will be the handles of your bag.



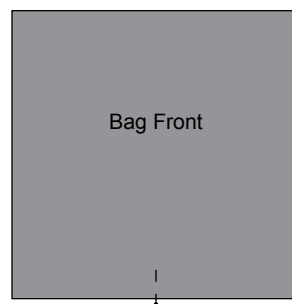
- Sew together along one short edge, with right sides facing, the 2 fused $6\frac{1}{2}$ " x 36" strips made in Step 2. Press seam open.



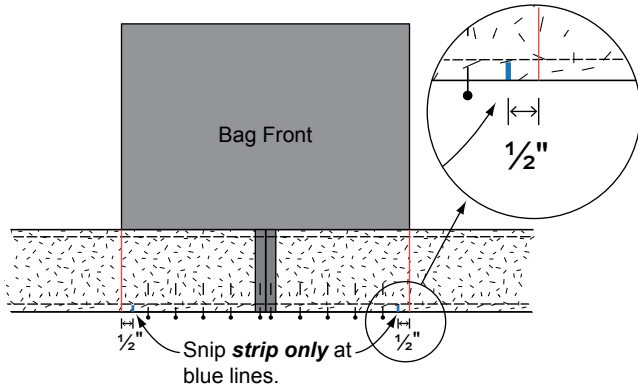
- Machine stitch, with a regular stitch length, along each long edge of the strip made in Step 5. Your line of stitching should be *just short of* $\frac{1}{2}$ " from the strip's edge.



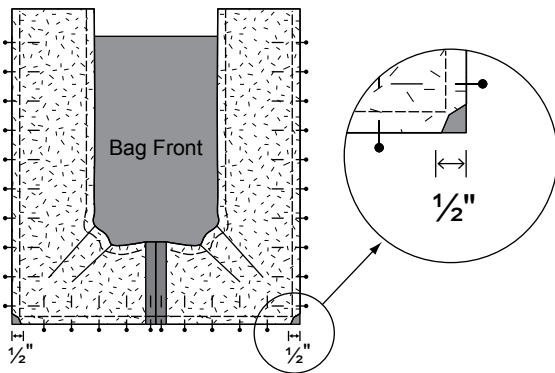
- Find and mark with a pin, the center bottom edge of the fused bag front.



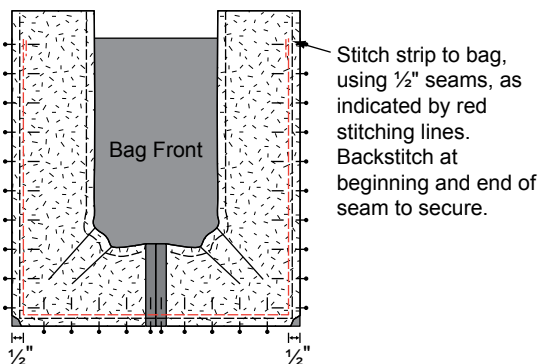
8. With right sides facing, match the center seam line of the long strip from Step 6 with the center bottom edge of the bag front, and pin together at this point. Working from the center toward corners, pin strip to bag. When you are $\frac{1}{2}$ " from each corner, make one snip *in the strip only*, going to (not through) the line of stitching. This will allow the strip to turn easily at the corner.



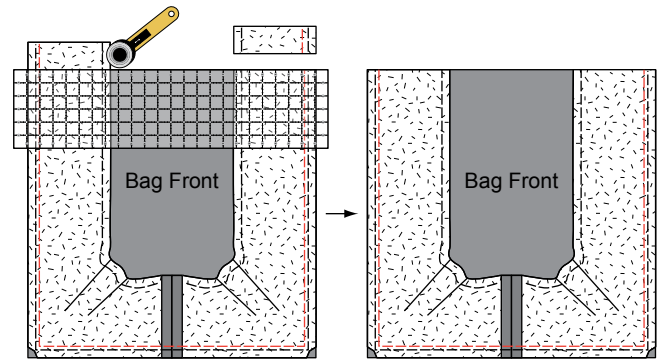
Turn each corner, and continue to pin the strip to each side of the bag front, ending at the top of the bag. Your strip should extend beyond the bag top. The ends of the strip will be trimmed after sewing.



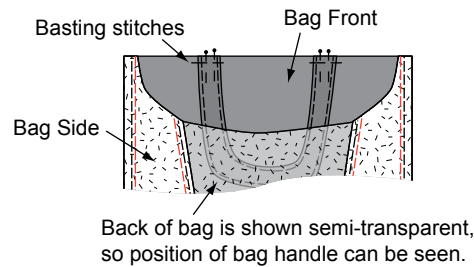
9. Stitch strip to bag front. Starting at top of bag, sew side seam. At corner, lift the presser foot (with the needle still in the fabric), and pivot. After pivoting, lower presser foot, and continue sewing to next corner. Pivot as on the first corner, and sew the remaining side seam.



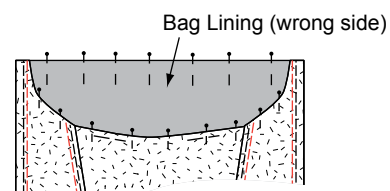
10. Using an acrylic ruler and rotary cutter, trim ends of strip even with top of bag.



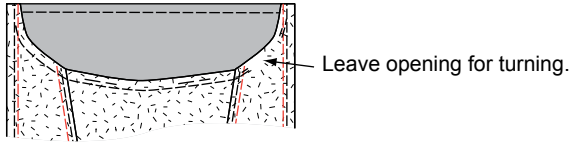
11. Repeat Steps 7-9 to sew the bag back to the bag front/side section just made.
12. To make bag lining, repeat steps 5-11, this time using lining fabric pieces. (*Note: Fusible fleece isn't used with the lining pieces.*)
13. On the top edge of the bag front, measure in $4\frac{3}{4}$ " from each side, and pin (raw edges matching) one handle to the bag as shown. Similarly, pin the second handle to the bag back. Machine-baste the handles in place, stitching $\frac{3}{8}$ " from the edge of the bag.



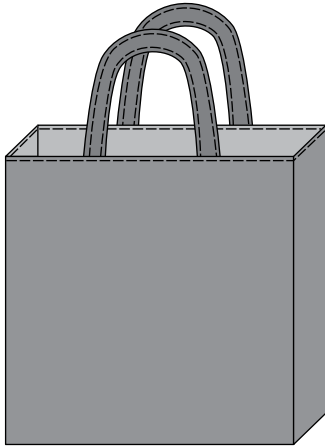
14. Make sure that the bag is wrong side out. Turn bag lining right side out, and insert lining into bag. (The right sides of bag and lining should be facing each other.) Matching seams (the handles should be hanging down inside the bag) and raw edges, pin bag and lining together around the top.



15. Using a 1/2" seam allowance, sew bag and lining together at top edge, leaving a 5" opening for turning.



16. Gently pull bag, right side out, through opening.
Tuck lining into the bag. Press top edge of bag, and pin the 5" opening closed.
17. Edge-stitch around the top of bag.



18. Enjoy your finished bag!