

Triangle Paper

Quilt is 62" x 70".

Supplies

Half Square Triangle Blocks
12 assorted Fat Quarters*

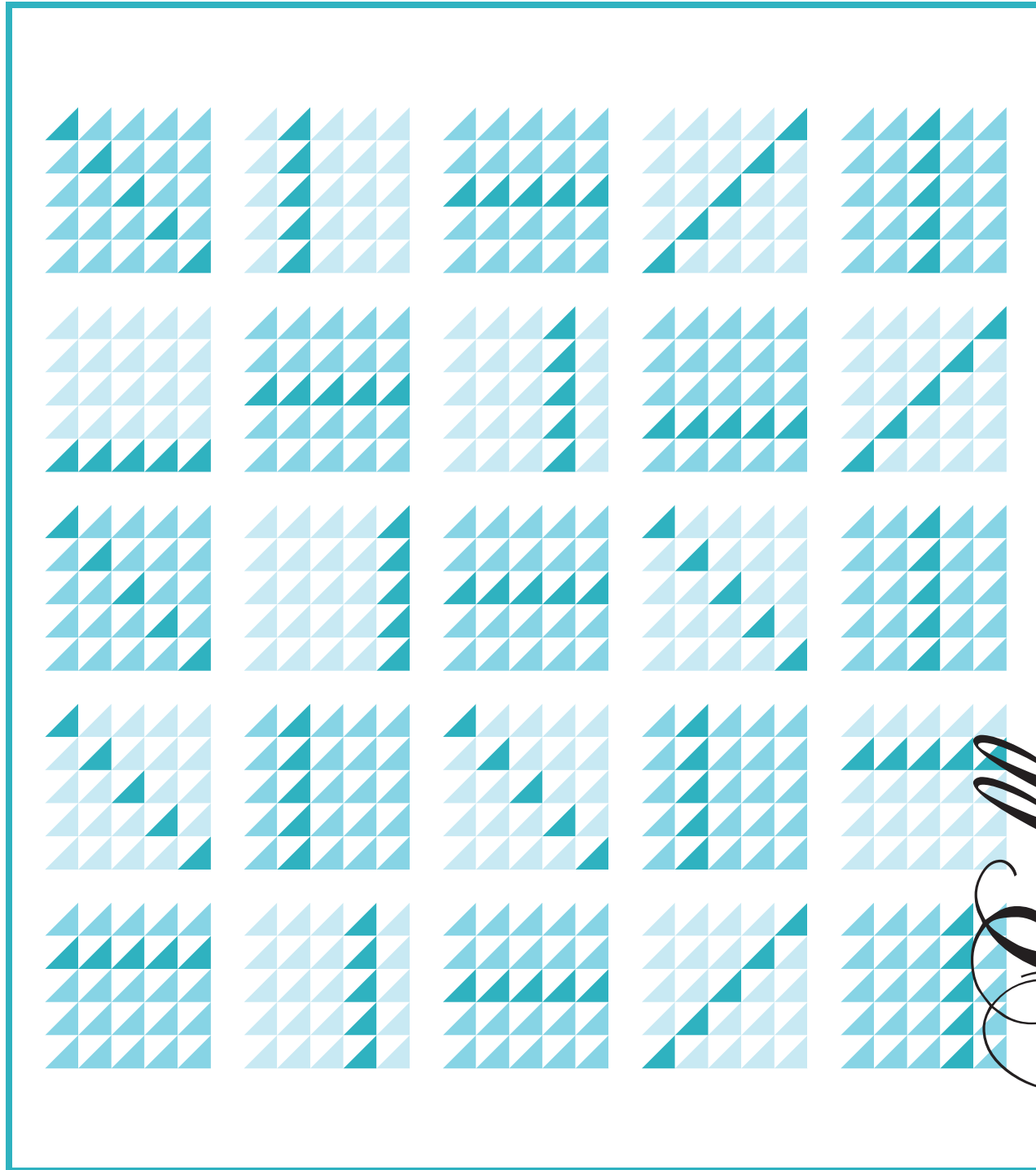
Background: 4 yards

Binding: 5/8 yard

Backing: 4 yards

1 package LBQ-0222
2" Triangle Exchange Paper

*Fat Quarter = 18" x 22"



Triangle Paper
Quilt is 62" x 70".

12 pack
Which colors will you choose?

moda
Bella
Solids



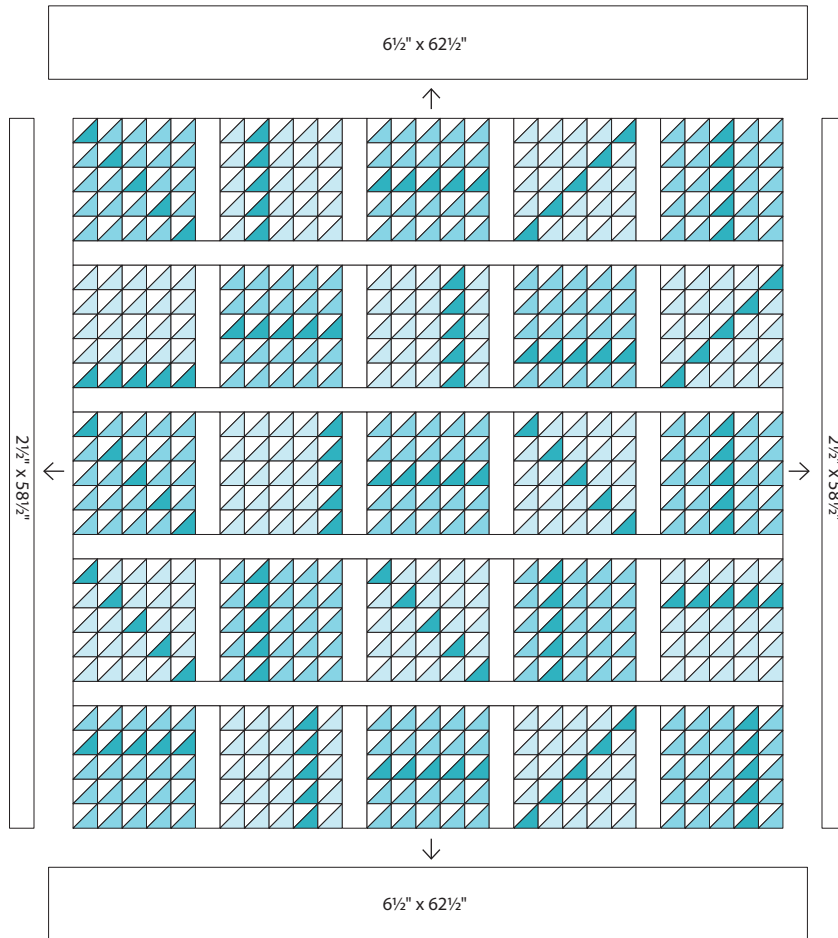
moda

MODAFABRICS.COM

BSPK1404 — SUGGESTED RETAIL \$6.00

Triangle Paper Quilt is 62" x 70".

- 4 Sew the $2\frac{1}{2}$ " x $58\frac{1}{2}$ " background strips to the quilt sides.
Sew the $6\frac{1}{2}$ " x $62\frac{1}{2}$ " strips to the top and bottom.
Layer, quilt and bind.



Cutting

Half Square Triangle Block solids

From EACH of the 12 assorted Fat Quarters cut
 $2-6\frac{1}{2}$ " x 21" strips

Background

$16-6\frac{1}{2}$ " x width of fabric strips

From 12 strips, cut $24-6\frac{1}{2}$ " x 21" strips

Sew 4 strips end to end. From this long strip cut
 $2-6\frac{1}{2}$ " x $62\frac{1}{2}$ " strips

$14-2\frac{1}{2}$ " x width of fabric strips

From 5 strips, cut $20-2\frac{1}{2}$ " x $10\frac{1}{2}$ " rectangles

Sew 9 strips end to end. From this long strip cut
 $6-2\frac{1}{2}$ " x $58\frac{1}{2}$ " strips.

Binding

$7-2\frac{1}{2}$ " x width of fabric strips

Sew the strips end to end to make the binding.

moda

moda

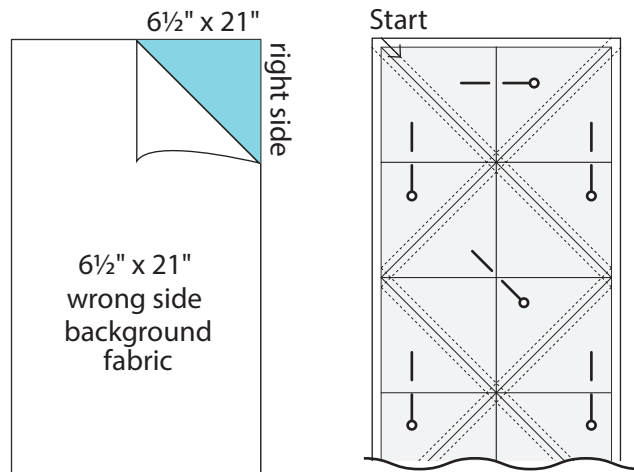
Construction

Use $\frac{1}{4}$ " seams. Press in the direction of the arrows in the diagrams.

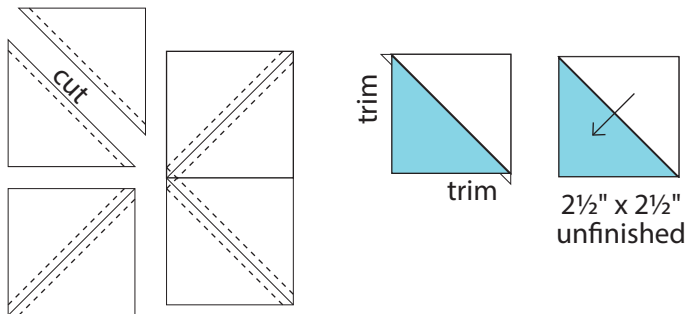
1 Half Square Triangle Blocks

(A) Layer a $6\frac{1}{2}$ " x 21" solid and $6\frac{1}{2}$ " x 21" background strip right sides together. Place 1 sheet of LBQ Triangle Exchange Paper on top of the background fabric facing up.

Pin the paper in place, place the corner of the paper marked "Start Sewing" under your presser foot, and begin sewing on the dashed line.

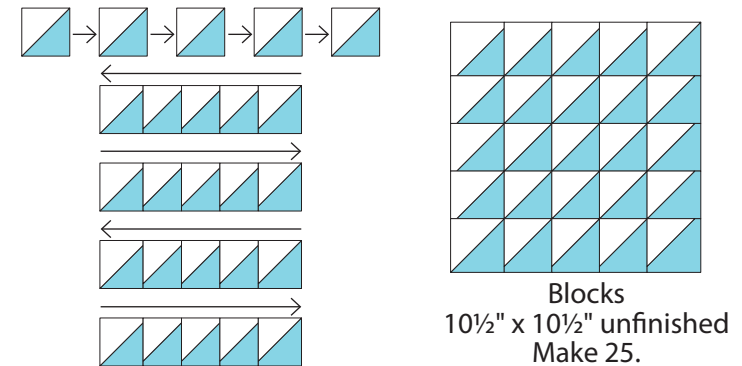


(B) Once you have completed sewing on all dashed lines, cut the triangles apart along the solid lines. Press your triangles open, trim the bunny ears and remove the paper.



(C) Each triangle exchange paper makes 28 triangles. Repeat to make a total of 644 half square triangle blocks using 23 papers. You need 625.

2 Arrange and sew 5 rows of 5 half square triangle blocks. Join the rows to make 1 block. Repeat to make 25 blocks.



moda

3 Arrange and sew 5 rows of 5 blocks and $4 \times 2\frac{1}{2}$ " x $10\frac{1}{2}$ " background rectangles as shown. Join the rows and $2\frac{1}{2}$ " x $58\frac{1}{2}$ " background strips as shown.

